

**Part Number: PT427-34070**  
**PT427-3407B**

**NOTE:** Part number of this accessory may not be the same as the part number shown.

**Kit Contents**

Item #	Quantity Req'd.	Description
1	1	Hood protector
2	1	Hardware bag

**Hardware Bag Contents**

Item #	Quantity Req'd.	Description
1	2	Outside Hood Bracket
2	2	Nylon Insert
3	2	10-24 MS
4	5	Mylar

**Additional Items Required For Installation**

Item #	Quantity Req'd.	Description
1		

**Conflicts**

--

**Recommended Tools**

<b>Personal &amp; Vehicle Protection</b>	<b>Notes</b>
Vehicle Protection	Blanket
<b>Special Tools</b>	<b>Notes</b>
None	
<b>Installation Tools</b>	<b>Notes</b>
Screwdriver	Phillips, #2
Socket	10mm & Extension
<b>Special Chemicals</b>	<b>Notes</b>
Cleaner	Soap and Water

**General Applicability**

Note-
-------

**Recommended Sequence of Application**






Item #	Accessory
1	

\*Mandatory

**Vehicle Service Parts** (may be required for reassembly)

Item #	Quantity Req'd.	Description
1		
2		
3		

**Legend**

	<b>STOP:</b> Damage to the vehicle may occur. Do not proceed until process has been complied with.
	<b>OPERATOR SAFETY:</b> Use caution to avoid risk of injury.
	<b>CAUTION:</b> A process that must be carefully observed in order to reduce the risk of damage to the accessory/vehicle and to ensure a quality installation.
	<b>TOOLS &amp; EQUIPMENT:</b> Used in Figures calls out the specific tools and equipment recommended for this process.
	<b>REVISION MARK:</b> This mark highlights a change in installation with respect to previous iss

Care must be taken when installing this accessory to ensure damage does not occur to the vehicle. The installation of this accessory should follow approved guidelines to ensure a quality installation.

These guidelines can be found in the "Accessory Installation Practices" document.

This document covers such items as:-

- Vehicle Protection (use of covers and blankets, cleaning chemicals, etc.).
- Safety (eye protection, rechecking torque procedure, etc.).
- Vehicle Disassembly/Reassembly (panel removal, part storage, etc.).
- Electrical Component Disassembly/Reassembly (battery disconnection, connector removal, etc.).

Please see your Toyota dealer for a copy of this document.

**1. Pre-installation Preparation.**



- (a) Inspect and verify the kit contents.
- (b) Make sure front edge of hood, where the deflector is to be installed, is clean and free from dirt and/or debris using soap and water, dry thoroughly.
- (c) Cover engine bay completely with a protective blanket to catch any dropped hardware.
- (d) Peel masking half way up from the bottom of the hood protector.

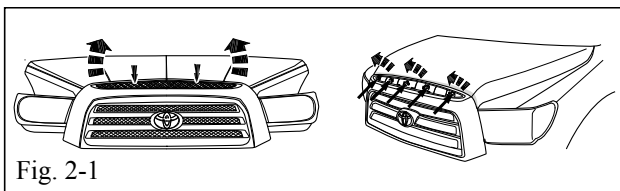


Fig. 2-1

**2. Installation.**

- (a) Remove outer grill plastic insert. Remove five (5) bolts from grill. (Fig. 2-1)
- (b) Apply the 1 7/8" (48mm) mylar strips to outer bracket locations. (Fig. 2-2)

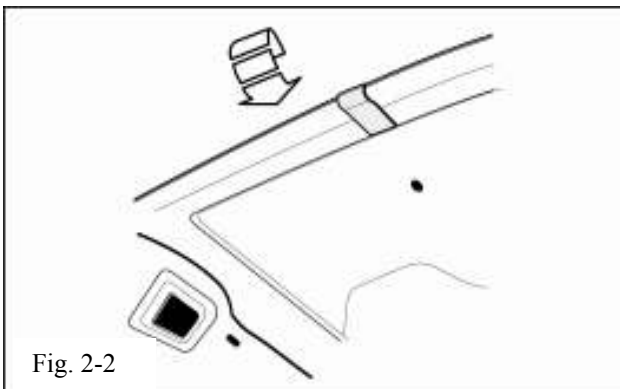
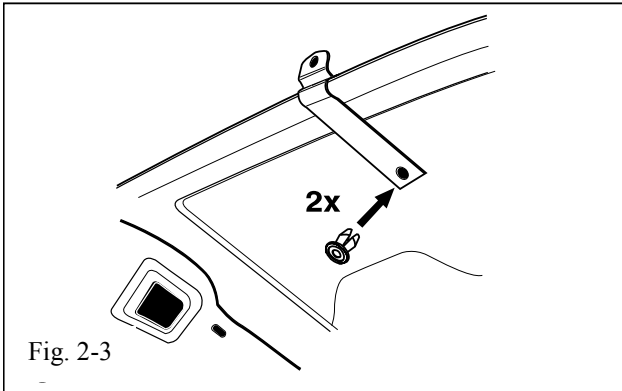
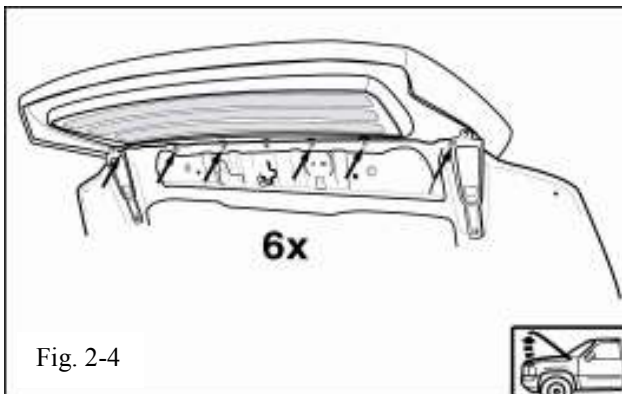


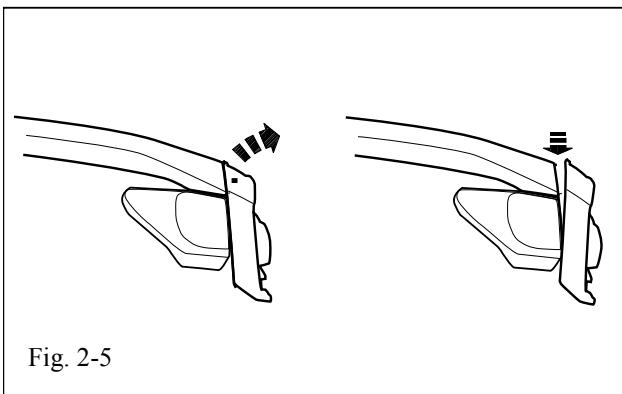
Fig. 2-2



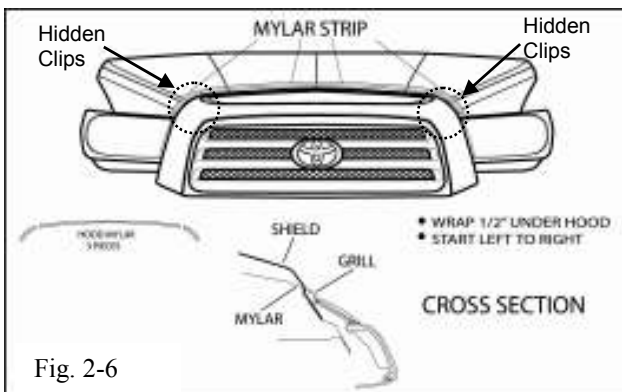
**⚠** (c) Open hood. Attach outer brackets using nylon insert. (Fig. 2-3)



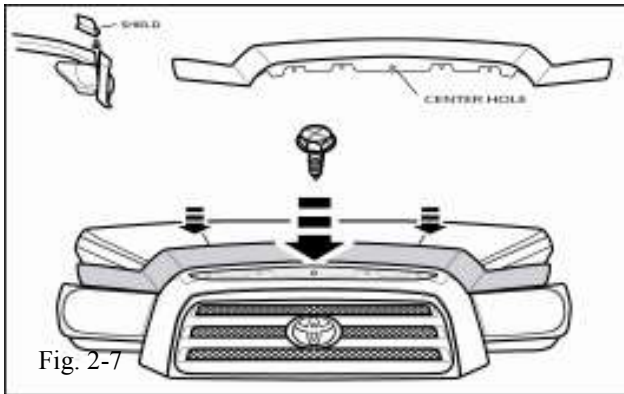
(d) Remove 6 nuts at grill to hood locations. (Fig. 2-4)



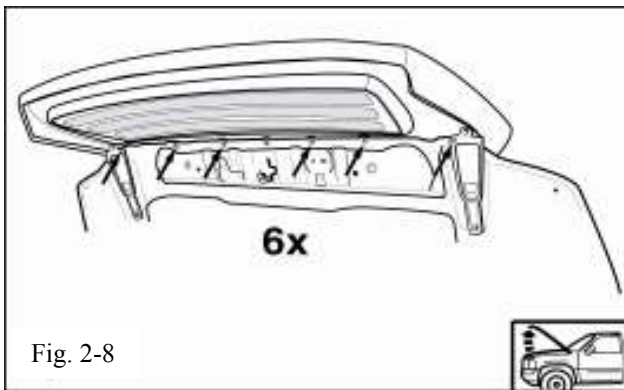
(e) Once the fasteners are removed from steps 2a and 2d, the grill should naturally cause a gap along the top edge of the hood (Fig. 2-5). If additional clearance is needed, push slightly on the grill to create a larger gap. Take caution not to push excessively on grill or outboard clips (not visible) may snap (Fig. 2-6).



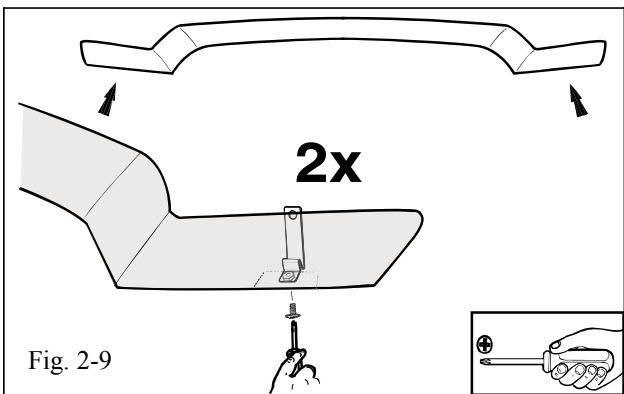
**⚠** (f) Dry thoroughly. Apply 3 mylar strips in between hood and grill, leave enough overlap to cover hood. Use the 43" (1092mm) strip for the center section, and add the 4" (102mm) pieces to cover the remaining area on hood. (Fig. 2-6)



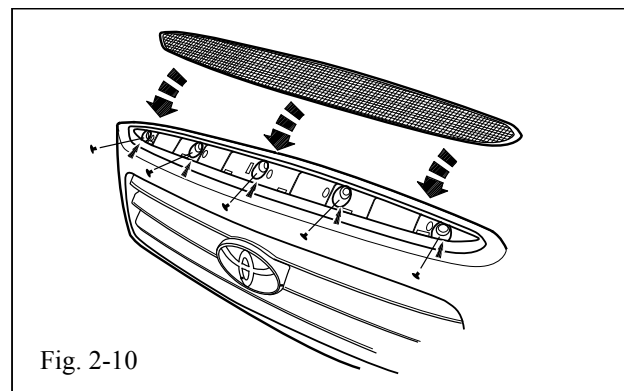
**!** (g) Gently slide shield into place and center. Be sure the shield is fully seated (Fig. 2-7). If additional clearance is needed, push slightly on the grill to create a larger gap. Take caution not to push excessively on grill or outboard clips (not visible) may snap (Fig. 2-6). Insert center grill screw through grill and shield (Fig. 2-7).



**!** (h) Retighten all screws in the grill. (Fig. 2-8).  
Torque = 52 in-lbf



(i) Attach outer brackets to shield using machine screws. (Fig. 2-9)



**!** (j) Replace bolts in front of grill and replace grill plastic insert. (Fig. 2-10)

(k) Remove masking from hood protector.

**TOYOTA TUNDRA 2007 - HOOD PROTECTOR**  
Checklist - these points **MUST** be checked to ensure a quality installation.

Check:

Look For:

Accessory Function Checks

Inspect brackets

Mylar Installation



Grille Attachment

Screw Tightness

Hood Closure



- Groove in bracket to fit securely along edge of hood.
- Mylar strips should not have air bubbles or wrinkles.
- Nuts must be tightened to designated torque. Torque = 52 in-lbf.
- Screws attaching brackets to shield are firmly tightened.
- Brackets must not contact headlights.