

MOLDED SPLASH GUARD

INSTALLATION INSTRUCTIONS

Vehicle Application:

Tundra 2007 +

Front

Please read instructions thoroughly before starting.

FRONT :

Tools Required :

#2 Phillips Screwdriver
Clean Cloth
Alcohol/Water Solution

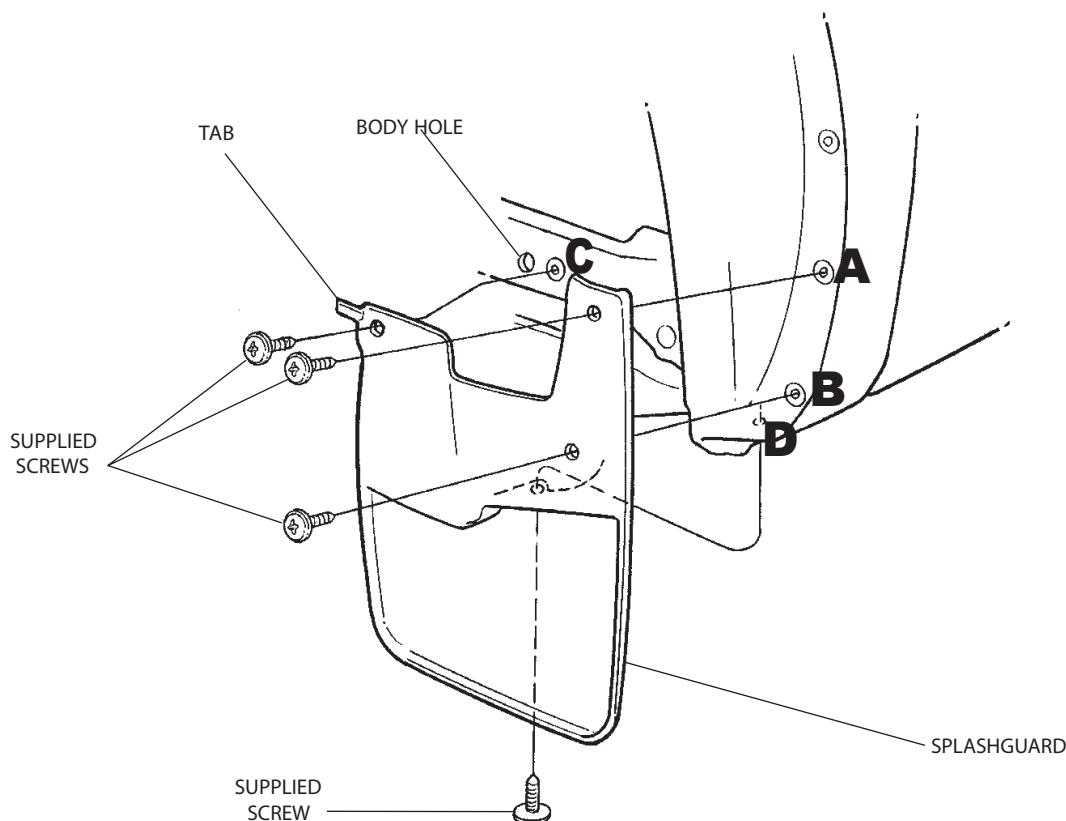
Package Contents:

1 - Passenger Side Splash guard
1 - Driver Side Splash guard
8 - #14 Screws
1 - Instruction Sheet

NOTE: Turning of front wheels to the left or right will allow for additional clearance, when installing the Splash guards.

1. Clean and degrease front body panel where splash guard is to be located with a clean, dry lint free cloth after use of Alcohol/Water Solution
2. Mount splash guard by inserting tab into vehicle body hole beside hole location C. See figure 1.
3. Install supplied screws in fender locations A, B and C. Tighten screws while holding part up and tight to body panel. DO NOT OVER TIGHTEN. See figure 1.
4. Install supplied screw in location D. Tighten screw while holding part tight to body panel. DO NOT OVER TIGHTEN.
5. Repeat procedure for other side.

Fig. 1



MOLDED SPLASH GUARD

INSTALLATION INSTRUCTIONS

Vehicle Application:

Tundra 2007 +

Rear

Please read instructions thoroughly before starting.

REAR :

Tools Required :

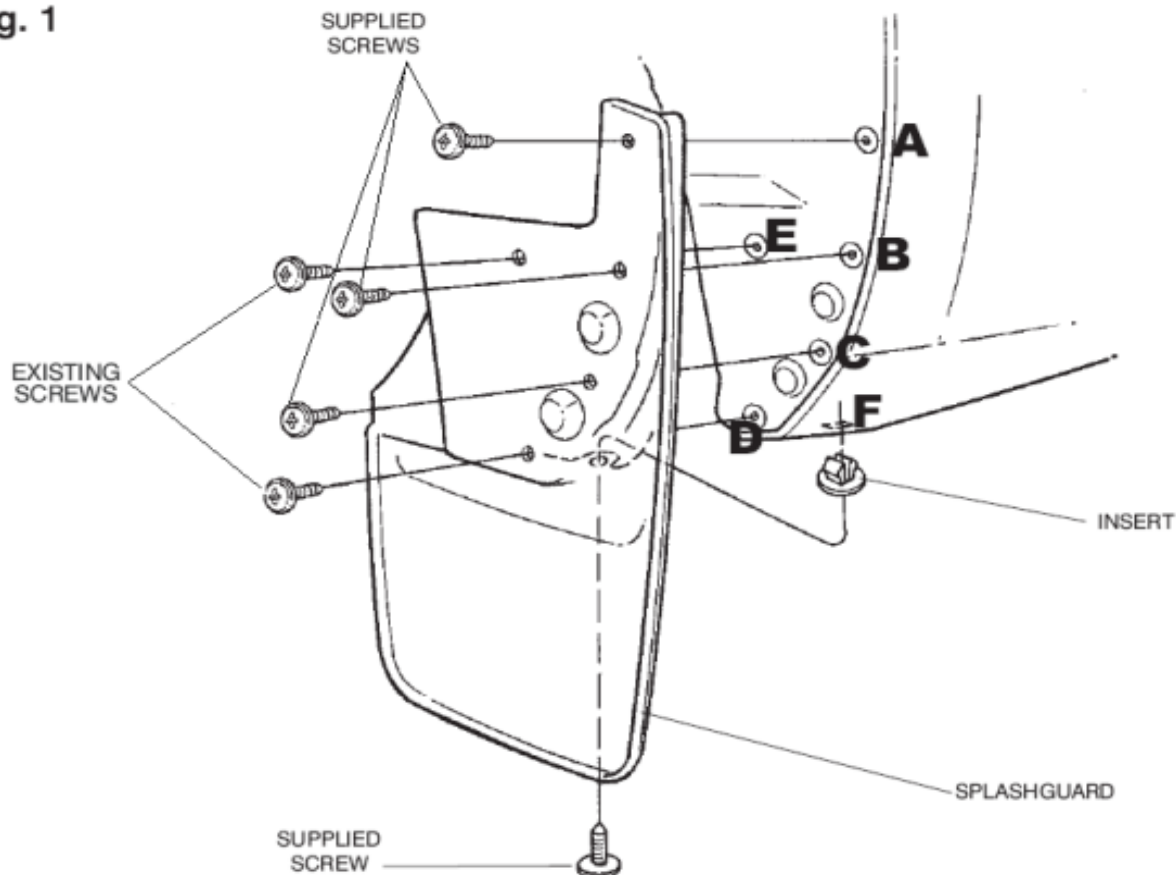
#2 Phillips Screwdriver
Clean Cloth
Alcohol / Water Solution

Package Contents:

1 - Passenger Side Splash guard
1 - Driver Side Splash guard
8 - #14 Screws
2 - Plastic inserts
1 - Instruction Sheet

1. Clean and degrease rear body panel where splash guard is to be located with a clean, dry lint free cloth after use of Alcohol/Water Solution.
2. Remove existing screws in fender locations D and E. DO NOT DISCARD . See figure 1.
3. Install supplied plastic insert in lower fender panel (square) hole location F. See figure 1.
4. Mount splash guard and install existing screws in fender locations D and E.
Install supplied screws in locations A, B and C .DO NOT OVER TIGHTEN. See figure 1.
5. Install supplied screw in location F. Tighten screw while holding part tight to body panel. DO NOT OVER TIGHTEN
6. Repeat procedure for other side.

Fig. 1



Section III – Functional Verifications



Section III – Functional Verifications

Check: _____

Gaps between mudguard and bodyside

Look For: _____

Maximum allowable gap 1.0 mm.