

Part Number: 00016-34011

Code:CM5



Kit Contents

Item #	Quantity Req'd.	Description
1	1	AD Mirror Assembly w/ HomeLink®, Compass and Shift-Light
2	1	Hardware bag

Hardware Bag Contents

Item #	Quantity Req'd.	Description
1	1	Wire Cover

Additional Items Required For Installation

Item #	Quantity Req'd.	Description
1	1	Jumper Harness PN 00016-34012
2	2	Foam Tape

Conflicts

Sequoia- Platinum and Limited models come with factory AD mirror

Recommended Tools

Personal & Vehicle Protection	Notes
Blankets, Towels	
Special Tools	Notes
None	
Installation Tools	Notes
Ratchet	
Socket	10 mm
Torx Head Driver	T20
Nylon Panel Removal Tool	e.g. Panel Pry Tool #1 Toyota SST# 00002-06001-01
Dark Towel or Cloth	For Testing
Torque Wrench	36 lbf-in
Awl or Straight Pick	

Special Chemicals	Notes
Cleaner	Household Windex

General Applicability

Sequoia- SR5 models

Recommended Sequence of Application

Item #	Accessory
1	TVIP
2	Satellite Receiver
3	Audio
4	EC Mirror
5	Back Up Camera System

*Mandatory

Legend

STOP: Damage to the vehicle may occur. Do not proceed until process has been complied with.

OPERATOR SAFETY: Use caution to avoid risk of injury.

CAUTION: A process that must be carefully observed in order to reduce the risk of damage to the accessory/vehicle and to ensure a quality installation.

TOOLS & EQUIPMENT: Used in Figures calls out the specific tools and equipment recommended for this process.

REVISION MARK: This mark highlights a change in installation with respect to previous issue.

SAFETY TORQUE: This mark indicates that torque is related to safety.

SPECIAL NOTE: Installation Sequences

After TMS and Safety mandated preparatory steps have been taken, the installation sequence is the suggested method for completing the accessory installation. In some instances the suggested sequence is written for one associate to install and in others the sequence is given as part of a team accessory installation. Unless otherwise stated in the document, the associates may perform the installation steps in any order to make the installation as efficient as possible while maintaining consistent quality.

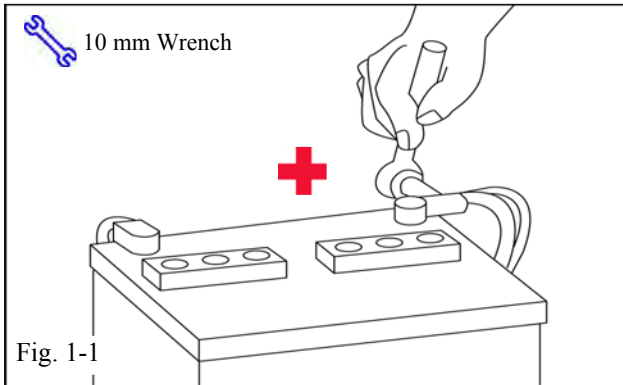
Procedure SEQUOIA

Care must be taken when installing this accessory to ensure damage does not occur to the vehicle. The installation of this accessory should follow approved guidelines to ensure a quality installation.



These guidelines can be found in the "Accessory Installation Practices" document.

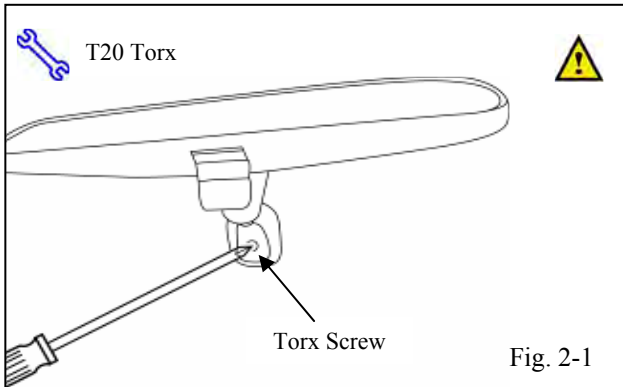
This document covers such items as:-

- Vehicle Protection (use of covers and blankets, cleaning chemicals, etc.).
- Safety (eye protection, rechecking torque procedure, etc.).
- Vehicle Disassembly/Reassembly (panel removal, part storage, etc.).
- Electrical Component Disassembly/Reassembly (battery disconnection, connector removal, etc.).




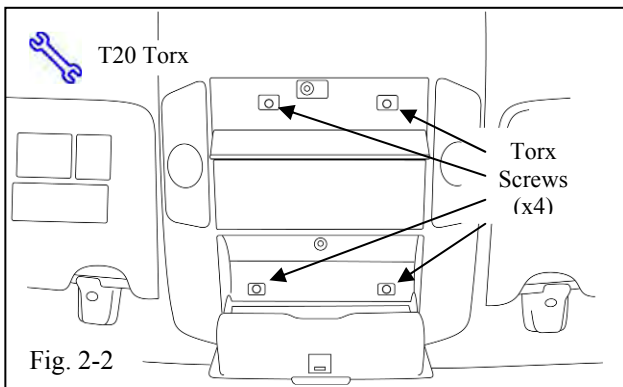
1. Remove Battery Cable.

-  (a) Protect fender before starting.
-  (b) Do not touch the positive terminal with any tool when removing cable.
- (c) Remove the negative battery cable. (Fig. 1-1)

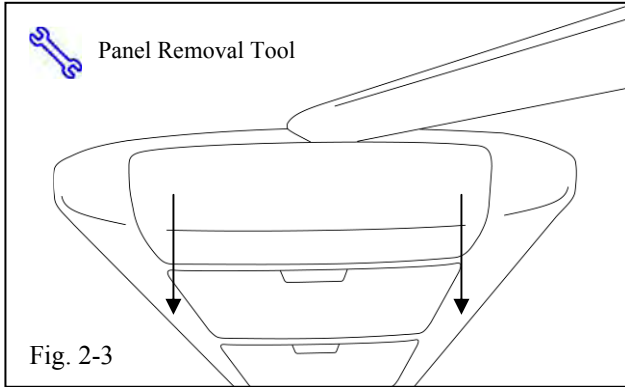


2. Vehicle Disassembly.

- (a) Remove OE mirror and discard.
-  (1) Refer to the vehicle repair manual to remove the existing mirror.



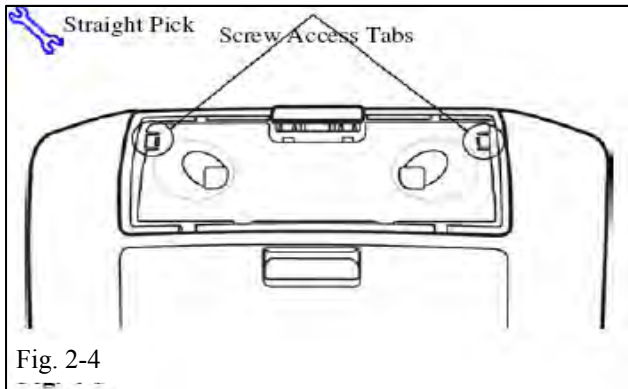
- (b) Remove overhead console.
 - (1) Open sunglasses compartment and storage compartment in overhead console.
 - (2) Remove four (4) T20 torx screws. (Fig. 2-2)



FOR VEHICLES WITH LONG OVERHEAD CONSOLE ONLY

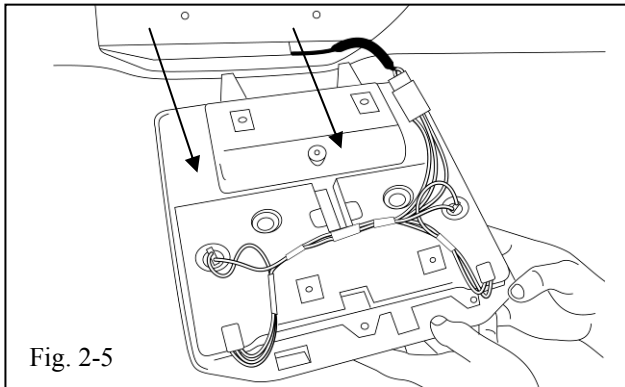
(Steps B. 3., B. 4., and B.5.)

(3) Using panel removal tool, remove cover from rear of overhead console. (Fig. 2-3)

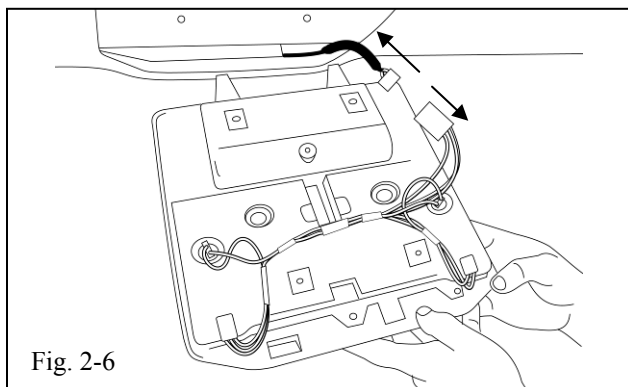


(4) With a straight pick, bend the screw access tabs towards the vehicle headliner, revealing the two torx screws. (Fig. 2-4)

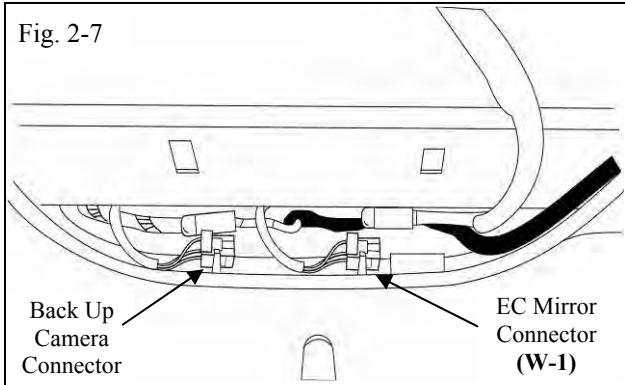
(5) Remove two (2) T20 torx screws from rear of overhead console.



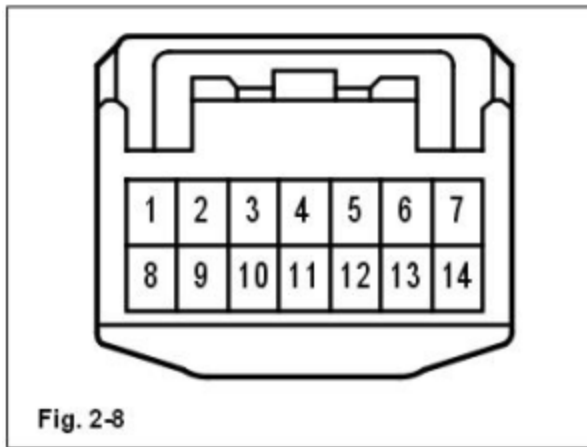
(6) Remove overhead console from headliner. (Fig. 2-5)



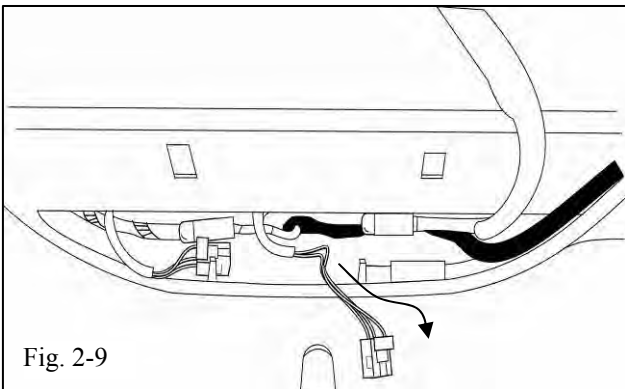
(c) Disconnect overhead console connector. (Fig. 2-6)



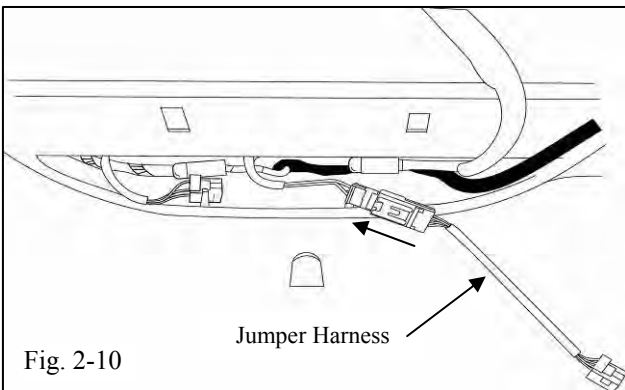
- (d) Locate factory pre-wire connector in front of overhead console opening. (Fig. 2-7)



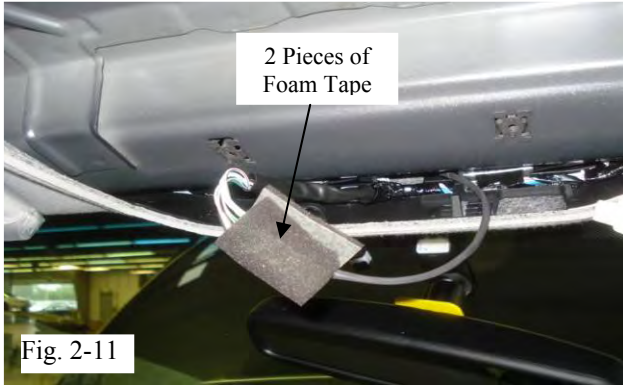
- (e) U12 connector Sequoia (Fig.2~8)



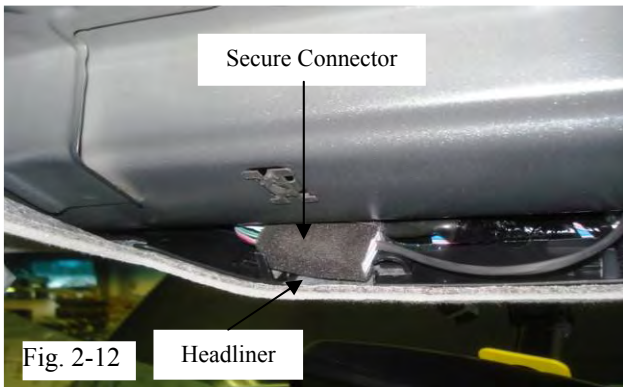
- (f) Remove pre-wire connector from fastening clip. (Fig. 2-9)



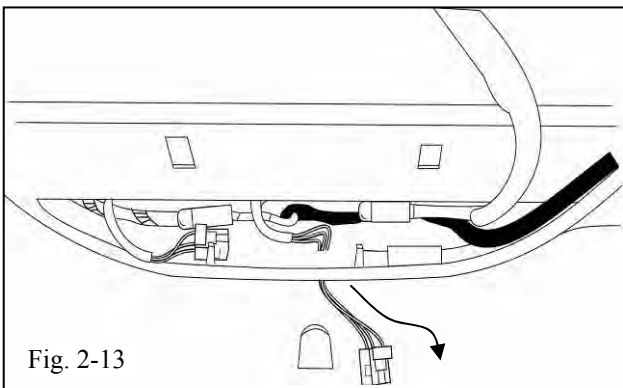
- (g) Connect supplied jumper harness to vehicle pre-wire connector previously removed (Fig. 2-10)



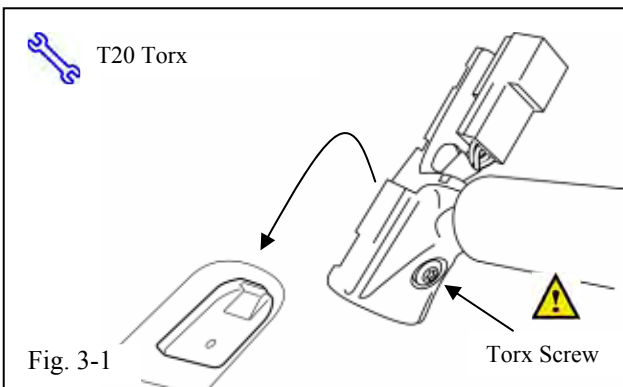
- (h) Wrap two (2) pieces of foam tape around jumper harness connector and factory pre-wire connector . (Fig. 2-11)
- (1) Ensure foam tape is wrapped completely around connectors to prevent rattling in overhead.




- (i) Secure jumper harness connector and factory pre-wire connector in overhead in location shown. (Fig. 2-12)



- (j) Route jumper harness between vehicle roof and headliner. (Fig. 2-13)



3. Wire Harness and Mirror Installation.

- (a) Slide the EC mirror onto the mounting button on windshield. (Fig. 3-1)
-  (b) Tighten the screw in the mirror mounting bracket and tighten securely.



CAUTION: DO NOT OVER TIGHTEN

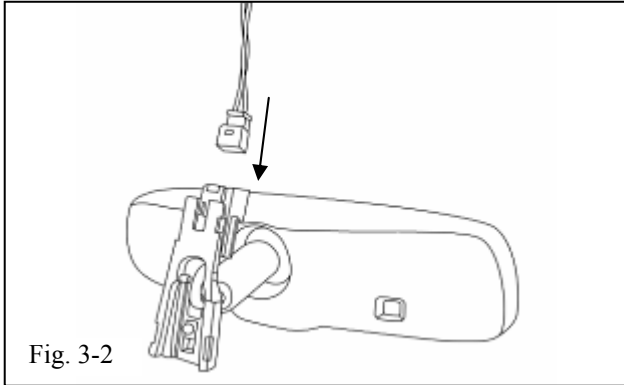


Fig. 3-2

- (c) Plug jumper harness connector into connector on EC mirror mount. (Fig. 3-2)

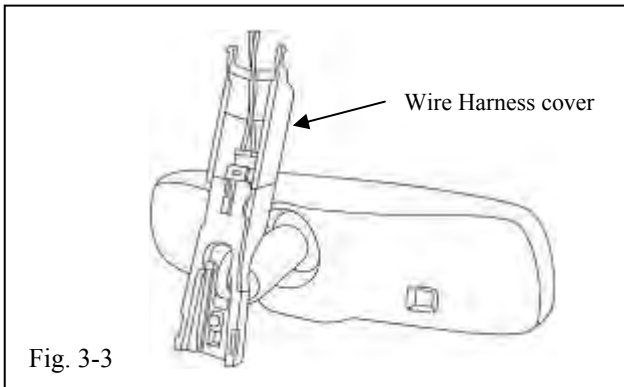


Fig. 3-3

- (d) Slide the wire harness cover over the wire harness and extend to completely cover wire harness. (Fig. 3-3)

- (1) Be sure the bottom of cover is securely mounted to base.
- (2) Be sure top of cover is fully extended into headliner.
- (3) Be sure the mirror has full range of movement.

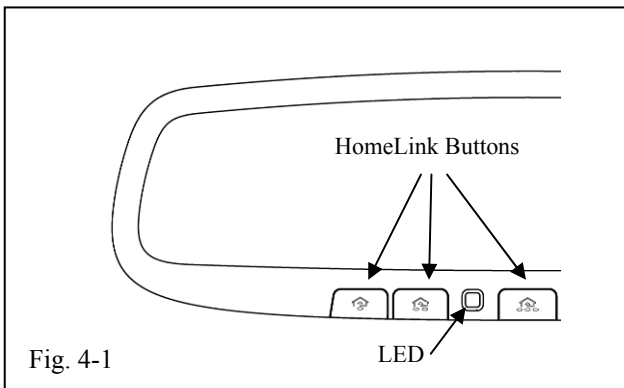


Fig. 4-1

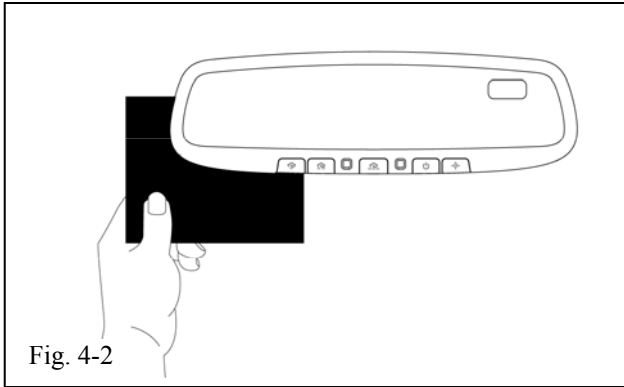
4. Testing.

- (a) If not installed, install the short pin located in the engine compartment fuse box.
- (b) Temporarily reconnect the vehicle's negative battery cable.
- (c) HomeLink® Feature:
 - (1) Push in HomeLink® switches, one at a time. Verify that the LED Indicator light is red when each switch is pushed. (Fig. 4-1)

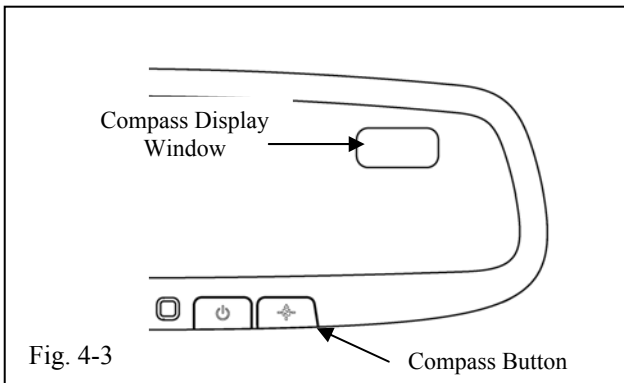
HomeLink® and the HomeLink® house are registered trademarks of Johnson Controls, Inc.

NOTE: The owner of the vehicle will need to program HomeLink®. See the HomeLink® programming instructions or visit the HomeLink® website at www.homelink.com.

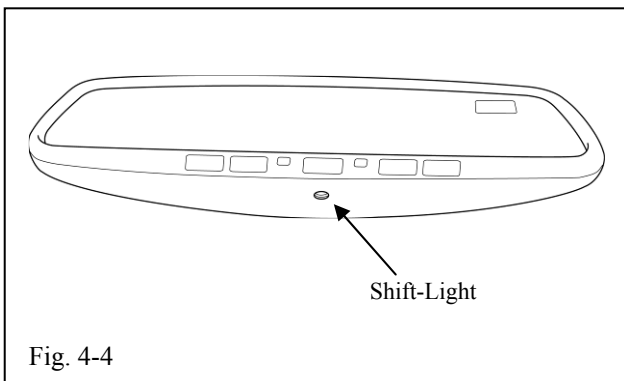
- (d) Turn ignition switch to ON.



- (e) With the vehicle in a fairly well lit area, perform the following test:
- (f) Auto Dimming Feature:
 - (1) To make sure the auto-dimming feature is on, verify that the LED indicator light is on. If it is not on, push the "On/Off" button to turn the LED on.
 - (2) Cover the forward-looking light sensor located on the back of the mirror with a dark cloth or towel. (Fig. 4-2)
 - (3) In a few seconds, the mirror will begin to darken (time may vary with ambient light levels).
 - (4) Remove the cover from the forward-looking light sensor and the mirror will begin to clear.



- (g) Compass Feature:
 - (1) Push the Compass button to turn the compass on/off. Compass is enabled when a direction or "CAL" appears in the mirror display window. (Fig. 4-3)



- (h) Shift-light Feature:
 - (1) With ignition ON, cover forward-looking light sensor on back of the mirror. Low-level ambient lighting should be visible from the bottom of the mirror. (Fig. 4-4)
 - (2) Turn ignition OFF.
- (i) Disconnect the negative battery terminal.

5. Final Assembly.

- (a) Re-install overhead console.
 - (1) Make sure that clips are properly aligned before installing screws.
 - (2) Install but do not tighten the torx screws.

(3) Shift the console forward and backward to check for the best installation position.

(4) Tighten screws.


(b) Remove fingerprints, smudges, dirt, etc. from mirror and windshield with Household Windex.


(1) When cleaning with Household Windex, follow the manufacturer's directions. Do not allow cleaner to air dry.

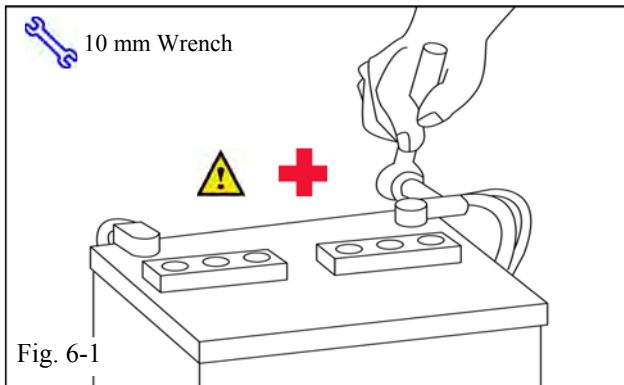
(c) Verify each reinstalled component for proper fit and function.

6. Reconnect Negative Battery Cable.

(a) Reconnect the vehicle's negative battery cable. (Fig. 6-1)

 (1) Tighten the nut to 4.1 N-m (36 lbf-in).

 (2) Do not touch the positive terminal with any tool when replacing the cable.



VEHICLE FUNCTION CHECK

AFTER ALL PANELS, COVERS, AND COMPONENTS HAVE BEEN REINSTALLED, THAT WERE REMOVED, TEST THOROUGHLY, ALL MECHANICAL AND ELECTRICAL COMPONENTS DISCONNECTED AND OR REMOVED FROM THE VEHICLE DURING THE INSTALLATION OF THIS ACCESSORY.

SEQUOIA

Checklist - these points **MUST** be checked to ensure a quality installation.

Check:

Look For:

Accessory Function Checks

Vehicle should be in a fairly well lit area.

HomeLink® feature:

- Push in HomeLink® switches with key in AND out of the key slot.

Turn ignition (ACC power) to ON.

Auto-dimming feature:

- Cover the forward-looking light sensor (located below the wire harness connection on the back of the mirror).

Mirror clears:

- Remove cover from photocell.

Compass Feature:

- Push the Compass Button.

Shift-light Feature:

- Turn ignition to ON, cover forward-looking light sensor and observe shift-light.

Verify LED indicators turns red.

Verify green LED is on. If it is not ON press On / Off button - confirm LED is ON.


Verify mirror darkens.

Mirror returns to clear state.

"CAL" is displayed.

Light is visible from bottom of mirror.

Vehicle Function Checks

- Check dome light
- Check Sunroof
-  Check battery negative cable

Verify dome light functions properly.

Verify sunroof functions properly.

Nut should be tightened to 4.1 N-m (36 lbf-inch).